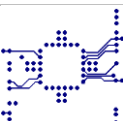


# ***FIRELEC Migration Solution***

***Alspa CE2000™ > Ovation™***

***AIA (Alspa Interface Adapters)***

***FMS-CE2000-OV-1***

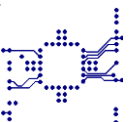


# CONTENTS

<b>1. INTRODUCTION.....</b>	<b>3</b>
1.1. KEY ADVANTAGES OF THE FMS-CE2000-OV-1 SOLUTION .....	4
<b>2. ANALOG INPUTS.....</b>	<b>5</b>
2.1. EXISTING CARD TO BE REMOVED : HIGH LEVEL ANALOG INPUT MODULE AH 115.....	6
<b>3. ANALOG OUTPUTS.....</b>	<b>7</b>
3.1. EXISTING CARD TO BE REMOVED : AO.....	8
<b>4. DISCRETE INPUTS.....</b>	<b>9</b>
4.1. : EXISTING CARD TO BE REMOVED : DI .....	10
<b>5. DISCRETE OUTPUTS.....</b>	<b>11</b>
5.1. EXISTING CARD TO BE REMOVED : LC105 .....	12
5.3. EXISTING CARD TO BE REMOVED : LC106 .....	13



# 1. INTRODUCTION



The purpose of this document is to guide the user of an ALSTOM Alspa CE2000™ system within the safe, efficient and easy way to migrate toward an EMERSON Ovation™ system.

**FIRELEC** has developed migration solution "**FMS-CE2000-OV-1**" allowing to protect the existing wiring investment as the user converts from an existing Alspa CE2000 system to the Ovation™ system.

The **FMS-CE2000-OV-1** solution is a set of migration adapters installed in place of the existing I/O cards into the I/O files, allowing to connect easily existing Alspa CE2000 cables, to the Ovation I/O cards.

The Alspa CE2000 RA150 modules are kept in place. The DIN F-Type connectors of this modules are then, through the AIA, connected to the Ovation I/O cards using dedicated shielded cables with SUBD connectors at one end and numbered wires or suitable connectors (matching with the type of I/O block of the Ovation card) at the other end.

## **1.1. KEY ADVANTAGES OF THE FMS-CE2000-OV-1 SOLUTION**

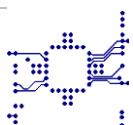
**FMS-CE2000-OV-1** solution protect your wiring investment as you convert from the Alspa CE2000™ system to the Ovation™ system of Emerson Process Management with following advantages :

**FMS-CE2000-OV-1** is a pre-engineered marshalling solution ready to work without any technical rework or limitation regarding the existing capabilities of the Alspa CE2000 system to be migrated.

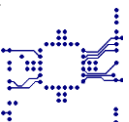
As the instrument wiring is not disturbed, the instrument checkout during startup is reduced to the minimum

The Ovation™ system's configuration allows for the engineering conversion to be done efficiently. The speed at which **FMS-CE2000-OV-1** solution can be implemented ensures to reduce the process downtime to the minimum.



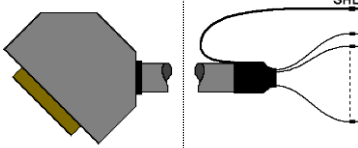

All existing documentations (electrical schemes, loop drawings, maintenance procedures, .....) remain unchanged as the existing I/O panels are kept in place.

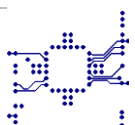


## 2. ANALOG INPUTS



**2.1. EXISTING CARD TO BE REMOVED : HIGH LEVEL ANALOG INPUT MODULE AH 115**



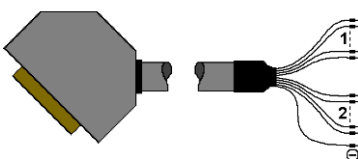

New EMERSON Ovation architecture - FMS-CE2000-OV-1-A11-A1			
Process Connection	Adapter	Cable	I/O Card
<b>RA150 Module</b>	<b>AIA-AI-1</b>	<b>Cable CBL-1035</b>	<b>Emod : 5X00106G02</b> <b>Pmod : 5X00109G01</b>
	Adapter installed in existing CE2000 card file	Detail of the cable See cable section on <a href="http://www.firelec.com">www.firelec.com</a>	Analog Input HART High Performance, 8 channels, 4-20mA, Local or Remote Power Supply Screw terminals
			

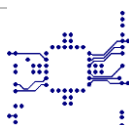


# 3. ANALOG OUTPUTS



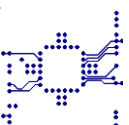
**3.1. EXISTING CARD TO BE REMOVED : AO**

New EMERSON Ovation architecture - FMS-CE2000-OV-1-AO1-A1			
Process Connection	Adapter	Cable	I/O Card
<p><b>RA150 Module</b></p> 	<p><b>AIA-AO-1</b></p> <p>Adapter installed in existing CE2000 card file</p> 	<p><b>Cable CBL-1036</b></p> <p>Detail of the cable See cable section on <a href="http://www.firelec.com">www.firelec.com</a></p> 	<p><b>2 X Emod : 5X00167G01</b> <b>2 X Pmod : 5X00188H01</b></p> <p>Analog Output HART High Performance 16 Bit, 4 channels, 4-20mA, Local or Remote Power Supply, Screw terminals</p> 



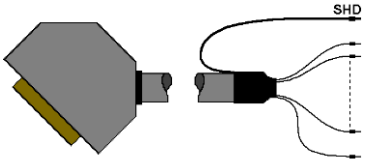



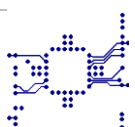


# 4. DISCRETE INPUTS



**4.1. : EXISTING CARD TO BE REMOVED : DI**

New EMERSON Ovation architecture - FMS-CE2000-OV-1-DI1-A1			
Process Connection	Adapter	Cable	I/O Card
<b>RA150 Module</b>  	<b>AIA-DI-1</b>  Adapter installed in existing CE2000 card file  	<b>Cable CBL-1037</b>  Detail of the cable See cable section on <a href="http://www.firelec.com">www.firelec.com</a>  	<b>Emod : 1C31233G04</b> <b>Pmod : 1C31238H01</b>  Sequence of Events Compact, 16 channels, 48 VDC single-ended current-sourcing digital inputs (contact inputs) using on-card power supply (FCI field card)  



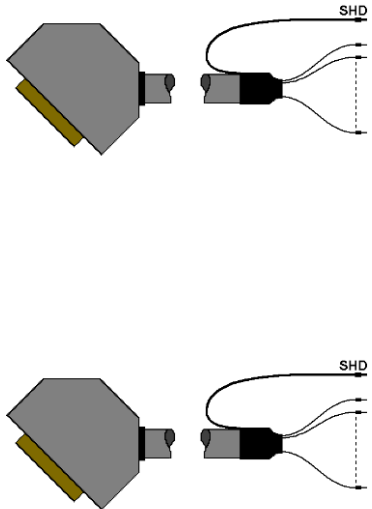
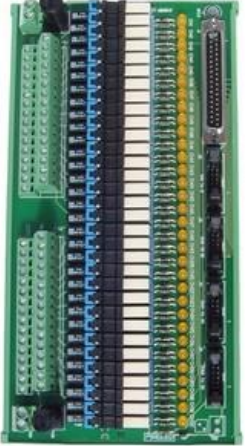
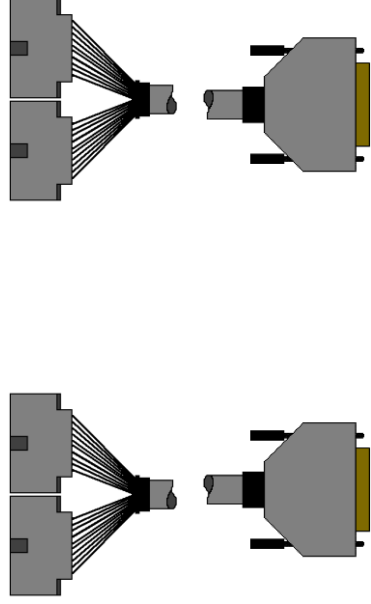



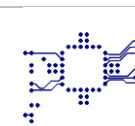
# 5. DISCRETE OUTPUTS



**5.1. EXISTING CARD TO BE REMOVED : LC105**

**New EMERSON Ovation architecture - FMS-CE2000-OV-1-DO1-A1**

Process Connection	Adapter	Cable	Interface	Cable	I/O Card
<p>2 X RA150 Module</p> 	<p>2 X AIA-DO-1</p> <p>Adapter installed in existing CE2000 card file</p> 	<p>Cable CBL-1038A Cable CBL-1038B</p> <p>Detail of the cable See cable section on <a href="http://www.firelec.com">www.firelec.com</a></p> 	<p>INT-DO32-R-F-1</p> <p>32 channels - Discrete Outputs with fuses and electromechanical or solid state relays</p> 	<p>2 X Cable CBL-1023</p> <p>Detail of the cable See cable section on <a href="http://www.firelec.com">www.firelec.com</a></p> 	<p>2 X Emod : 1C31122G01 2 X Pmod : 1C31125G02</p> <p>Digital Output, 5-60Vdc, 16 channels, relay panel, Local Power Supply</p> 



**5.2. EXISTING CARD TO BE REMOVED : LC106**

New EMERSON Ovation architecture - FMS-CE2000-OV-1-DO2-A1					
Process Connection	Adapter	Cable	Interface	Cable	I/O Card
<b>2 X RA150 Module</b>	<b>2 X AIA-DO-2</b>	<b>Cable CBL-1038A Cable CBL-1038B</b>	<b>INT-DO32-R-F-1</b>	<b>2 X Cable CBL-1023</b>	<b>2 X Emod : 1C31122G01 2 X Pmod : 1C31125G02</b>
	Adapter installed in existing CE2000 card file	Detail of the cable See cable section on <a href="http://www.firelec.com">www.firelec.com</a>	32 channels - Discrete Outputs with fuses and electromechanical or solid state relays	Detail of the cable See cable section on <a href="http://www.firelec.com">www.firelec.com</a>	Digital Output, 5-60Vdc, 16 channels, relay panel, Local Power Supply
