



F 7131: Power supply monitoring with buffer batteries

for PES H51q

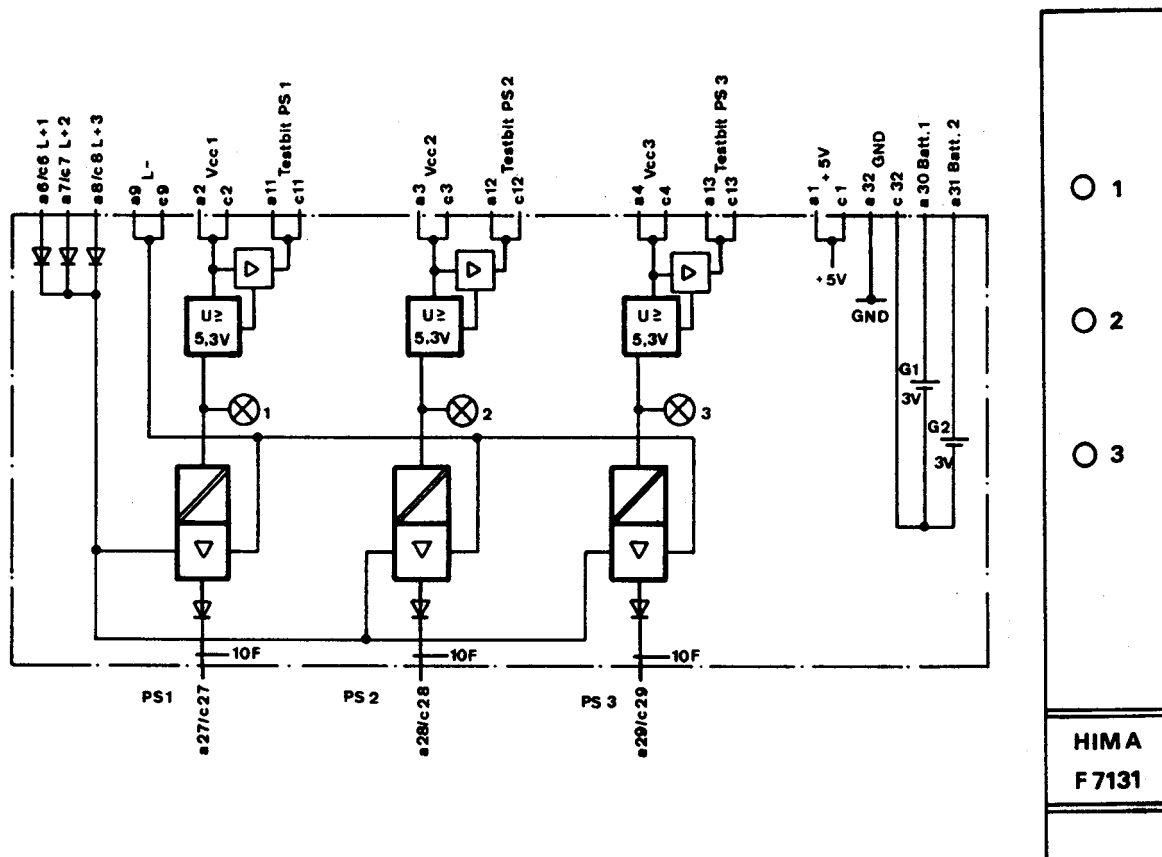


Figure 1: F 7131 Power supply monitoring with buffer batteries

The module F 7131 monitors the system voltage 5 V generated by the three power supplies (max.) as follows:

- 3 LED displays at the front of the module,
- 3 test bits for the central modules for the diagnostic display and for the operation within the user program,
- for the use within the additional power supply (assembly kit B 9361) the function of the power supply modules in it could be monitored via three outputs of 24 V (PS1 to PS 3).

Operating data	5 VDC / 25 mA
	24 VDC / 20 mA
Space requirement	4 SU

Note

Lifetime of the buffer battery
(*without* external voltage feeding):
1000 days at $T_A = 25\text{ °C}$
200 days at $T_A = 60\text{ °C}$

It is recommended to change the unloaded buffer battery (module in operation) at the latest after six years.

Type of battery: CR-1/2 AA-CD,

HIMA part no. 44 0000016 (with soldering lugs)

HIMA part no. 44 0000019 (without soldering lugs, since AS 02)
