



DC (10-30V) Output Module

Cat. No. 1771-OBN

Installation Instructions

To The Installer

This document provides information on:

- important pre-installation considerations
- power supply requirements
- installing the module
- connecting the wiring
- using the indicators on the module for troubleshooting
- module specifications

Pre-installation Considerations

The 1771-OBN dc output module is a source output and requires a sink input. A sink input provides a path to ground and a source output provides a positive voltage path.

Use this module in all 1771 I/O chassis **except** 1771-A1, -A2 and 1771-A4 chassis. Refer to the table below for processor compatibility.

Table A
Processor Compatibility Chart

System Type	Use with Processors:
Local	Mini-PLC-2/02 [®] (cat. no. 1772-LZ, -LZP) Mini-PLC-2/16 (cat. no. 1772-LX, -LXP) Mini-PLC-2/17 (cat. no. 1772-LW, -LWP) PLC-5/15 [®] , Series B and later (cat. no. 1785-LT)
Remote (with a 1771-ASB remote I/O adapter)	PLC-2/20 [®] (cat. no. 1772-LP2) PLC-2/30 (cat. no. 1772-LP3) PLC-3 [®] (cat. no. 1775-L1, -L2, -L3, -L4) PLC-3/10 (cat. no. 1775-LP4, -LP8) PLC-5/15, Series B and later (cat. no. 1785-LT)

Do not place this module in the same I/O chassis as the 1771-IX thermocouple module. You can use this module in the same chassis as the 1771-IXE thermocouple module.

Power Supply Requirements

The controller or I/O chassis power supply, connected through the backplane of the I/O chassis, powers the logic circuitry of the output modules. The maximum current drawn from this supply is 330mA.

Installing Your Module

In this section we tell you how to initially handle your module, key your I/O chassis, install your module and make your wiring connections.

Initial Handling Procedures



ATTENTION: Remove power from the 1771 I/O chassis backplane and wiring arm before removing or installing an I/O module.

- Failure to remove power from the backplane or wiring arm could cause module damage, degradation of performance, or injury.
 - Failure to remove power from the backplane could cause injury or equipment damage due to possible unexpected operation.
-

The output module contains components which can be damaged by electrostatic discharge. The module is shipped in an electrostatic shielded bag for protection. Follow the handling procedures outlined below to guard against damage to your module.

- Touch a grounded object to discharge yourself before handling the module.
- Do not touch the backplane connector or connector pins.
- If you configure or replace internal components, do not touch other circuit components inside the module. If available, use a static-safe work station.
- When not in use, keep the module in its static-free shield bag.

Keying the I/O Chassis

Use the plastic keying bands, shipped with each I/O chassis, to key your I/O slots to accept only this type of module. Place the keying bands on the chassis backplane between:

- 14 and 16
- 20 and 22

Slots on the rear edge of the circuit board are matched to these slots to allow insertion of this type of module. You can key any connector in an I/O chassis to receive this module except for the leftmost connector reserved for adapter or processor modules.

Inserting the Module Into the Chassis

1. Position the module so that the circuit board on the rear of the module lines up with the top and bottom card guides in the chassis.
2. Slide the module into the chassis.
3. Press firmly to seat the module in the chassis backplane connector.
4. Swing the module locking latch down into place over the front edge of the module.

Connecting Wiring to the Module

You make connections to the module through the field wiring arm cat. no. 1771-WN. The arm pivots on the I/O chassis to connect with terminals on the front of the module and acts as a terminal strip. The wiring arm allows the module to be removed from the chassis without disconnecting wiring.

1. Make certain all power is removed from the module before making wiring connections.
2. Swing the wiring arm up into position on the front of the module. The locking tab on the module will secure it into place.
3. Make your connections to the field wiring arm as shown in Figure 1. (Use the label on the front of the wiring arm to identify your wiring.)



ATTENTION: The field wiring arm terminal identification number is not the same as the number of the bit which controls that output.

I/O Module Groups

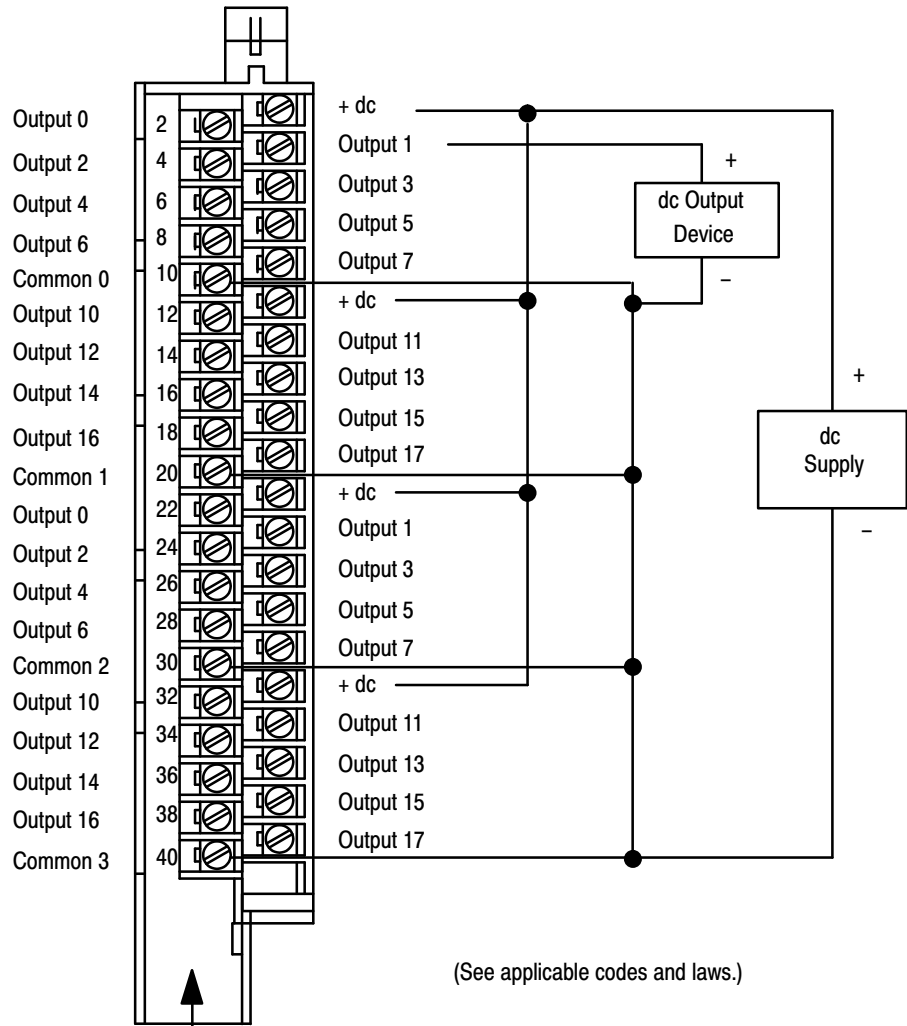
Each module condenses 2 full module groups (32 outputs) into each I/O chassis slot. For example:

- Module group 1 = outputs 00 through 17
- Module group 2 = outputs 00 through 17 (module group 2 represents the second set of outputs).

In Figure 1, terminals 1 through 20 represent module group 1. Terminals 21 through 40 represent module group 2. Terminals 10, 20, 30 and 40 are DC common and terminals 1, 11, 21 and 31 are DC power.

Figure 1
Connection Diagram for the 1771-OBN DC Output Module

Note: Terminals on the left are even numbered (2 thru 40), and terminals on the right are odd numbered (1 thru 39).



(Actual wiring runs in this direction.)

(See applicable codes and laws.)



ATTENTION: Miswiring or shorting the output terminals will cause permanent damage to this module.



ATTENTION: Observe proper polarity with dc power connections. Reverse polarity, or application of ac voltage could damage the module.

Table B
Module Output Terminal Assignments

Terminal Number	Output Assignment	I/O program address	Terminal Number	Output Assignment	I/O program address
01	¹ 10 to 30V dc	-	21	¹ 10 to 30V dc	-
02	Output 00	ORG00	22	Output 00	ORG00
03	Output 01	ORG01	23	Output 01	ORG01
04	Output 02	ORG02	24	Output 02	ORG02
05	Output 03	ORG03	25	Output 03	ORG03
06	Output 04	ORG04	26	Output 04	ORG04
07	Output 05	ORG05	27	Output 05	ORG05
08	Output 06	ORG06	28	Output 06	ORG06
09	Output 07	ORG07	29	Output 07	ORG07
10	Common 0	-	30	Common 2	-
11	¹ 10 to 30V dc	-	31	¹ 10 to 30V dc	-
12	Output 10	ORG10	32	Output 10	ORG10
13	Output 11	ORG11	33	Output 11	ORG11
14	Output 12	ORG12	34	Output 12	ORG12
15	Output 13	ORG13	35	Output 13	ORG13
16	Output 14	ORG14	36	Output 14	ORG14
17	Output 15	ORG15	37	Output 15	ORG15
18	Output 16	ORG16	38	Output 16	ORG16
19	Output 17	ORG17	39	Output 17	ORG17
20	Common 1	-	40	Common 3	-

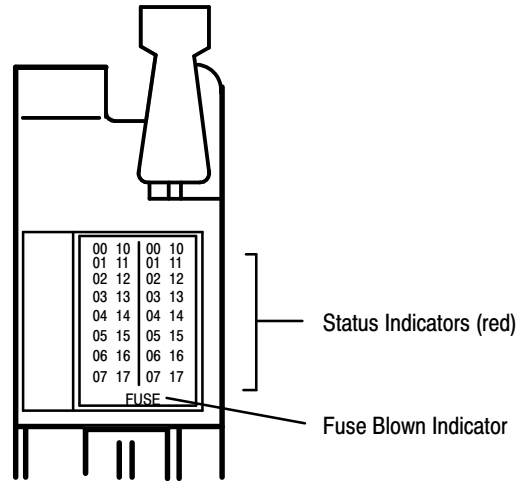
Where: R = rack number (1, 2, 3, etc.)
G = I/O group (0 - 7)

¹ You can connect a different power supply to each 10 to 30V dc terminal. They are not connected internally. Connect each common (0, 1, 2, 3) to the corresponding supply. Commons are not internally connected.

Interpreting the Status Indicators

The module has 32 status indicators (Figure 2) on the module front plate. These represent the control status of the outputs. Each indicator is lit when its corresponding output is energized. An additional indicator is provided to indicate a blown fuse condition.

Figure 2
Status Indicators



11851-I

Replacing the Fuses

To replace a blown fuse, proceed as follows:



ATTENTION: Remove power from the 1771 I/O chassis backplane and wiring arm before removing or installing an I/O module.

- Failure to remove power from the backplane or wiring arm could cause module damage, degradation of performance, or injury.
 - Failure to remove power from the backplane could cause injury or equipment damage due to possible unexpected operation.
-

1. Turn off power to the chassis.
2. Remove the module from the I/O chassis.
3. Remove the blown fuse from the fuse holder (accessible through the side cover), and replace with a 4A, 250V normal blow fuse.
4. Reinsert the module into chassis I/O chassis.
5. Turn on power to the chassis.

Specifications

Outputs per module	32 (4 groups of 8)
Module Location	1771-A1B thru -A4B or later I/O Chassis
Voltage Rating	10 to 30V dc
Maximum Output Current	0.5A per output (not to exceed 8A per module) 2A per output group
Maximum Surge Current	2A per output for 10msecond; repeatable every 2 seconds. 5A per output group for 10msec.; repeatable every 2 seconds. 20A per module for 10msec.; repeatable every 2 seconds.
Maximum On-state Voltage Drop	1.5V dc at 0.5A
Maximum Off-state Leakage Current	1.0mA @ 55°C
Maximum Power Rating	0.75W per output
Output Signal Delay	On to Off 2.0ms Off to On 0.1ms
Power Dissipation	13.7W (max); 1.7W (min)
Thermal Dissipation	46.7 BTU/hr (max); 5.7 BTU/hr (min)
Backplane Current	330mA @ 5V dc maximum
Isolation Voltage	1500V ac rms
Conductors	Wire Size 14 gauge stranded (max) 3/64 inch insulation (max) Category 1 ¹
Environmental Conditions	Operational Temperature 0° to 60°C (32° to 140°F) Storage Temperature -40° to 85°C (-40° to 185°F) Relative Humidity 5 to 95% (without condensation)
Keying	Between 14 and 16 Between 20 and 22
Field Wiring Arm	Cat. No. 1771-WN
Field Wiring Arm Screw Torque	7-9 inch-pounds
Fuses	Four 4.0A, 250V normal blow fuses (1 per group)

¹ Refer to publication 1770-4.1, Programmable Controller Wiring and Grounding Guidelines

PLC is a registered trademark of Allen-Bradley Company, Inc.
 PLC is a registered trademark of Allen-Bradley Company, Inc.
 PLC is a registered trademark of Allen-Bradley Company, Inc.
 PLC is a registered trademark of Allen-Bradley Company, Inc.
 PLC is a registered trademark of Allen-Bradley Company, Inc.



Allen-Bradley has been helping its customers improve productivity and quality for 90 years. A-B designs, manufactures and supports a broad range of control and automation products worldwide. They include logic processors, power and motion control devices, man-machine interfaces and sensors. Allen-Bradley is a subsidiary of Rockwell International, one of the world's leading technology companies.



With major offices worldwide.

Algeria • Argentina • Australia • Austria • Bahrain • Belgium • Brazil • Bulgaria • Canada • Chile • China, PRC • Colombia • Costa Rica • Croatia • Cyprus • Czech Republic • Denmark • Ecuador • Egypt • El Salvador • Finland • France • Germany • Greece • Guatemala • Honduras • Hong Kong • Hungary • Iceland • India • Indonesia • Israel • Italy • Jamaica • Japan • Jordan • Korea • Kuwait • Lebanon • Malaysia • Mexico • New Zealand • Norway • Oman • Pakistan • Peru • Philippines • Poland • Portugal • Puerto Rico • Qatar • Romania • Russia-CIS • Saudi Arabia • Singapore • Slovakia • Slovenia • South Africa, Republic • Spain • Switzerland • Taiwan • Thailand • The Netherlands • Turkey • United Arab Emirates • United Kingdom • United States • Uruguay • Venezuela • Yugoslavia

World Headquarters, Allen-Bradley, 1201 South Second Street, Milwaukee, WI 53204 USA, Tel: (1) 414 382-2000 Fax: (1) 414 382-4444